

IMPORTANT: BATTERY INFORMATION



CAUTION:

1. Always follow the instructions carefully. Use only batteries specified and be sure to insert them correctly by matching the + and – polarity markings.
2. Do not mix old batteries and new batteries or standard (carbon-zinc) with alkaline batteries.
3. Remove exhausted or dead batteries from the product.
4. Remove batteries if product is not to be played with for a long time.
5. Do not short-circuit the supply terminals.
6. Should this product cause, or be affected by, local electrical interference, move it away from other electrical equipment. Reset (switching off and back on again or removing and re-inserting batteries) if necessary.
7. **RECHARGEABLE BATTERIES:** Do not mix these with any other types of batteries. Always remove from the product before recharging. Recharge batteries under adult supervision. **DO NOT RECHARGE OTHER TYPES OF BATTERIES.**



Not suitable for children under 3 years because of small parts - choking hazard.

Product and colors may vary.



© 2010 Larami Ltd.
© 2010 Hasbro. All Rights Reserved.
TM & ® denote U.S. Trademarks.
U.S. Patent pending.

28495 PN 7098940000

Super Soaker.com
FOR NEW PRODUCTS AND OFFERS

Questions? Call 1-800-327-8264

NERF®



CAUTION:

Do not aim at eyes or face.
TO AVOID INJURY: Use only
clean tap water.

AGES 6+

BATTERY COVER



TRIGGER

CLIP RELEASE SWITCH

WATER CLIP

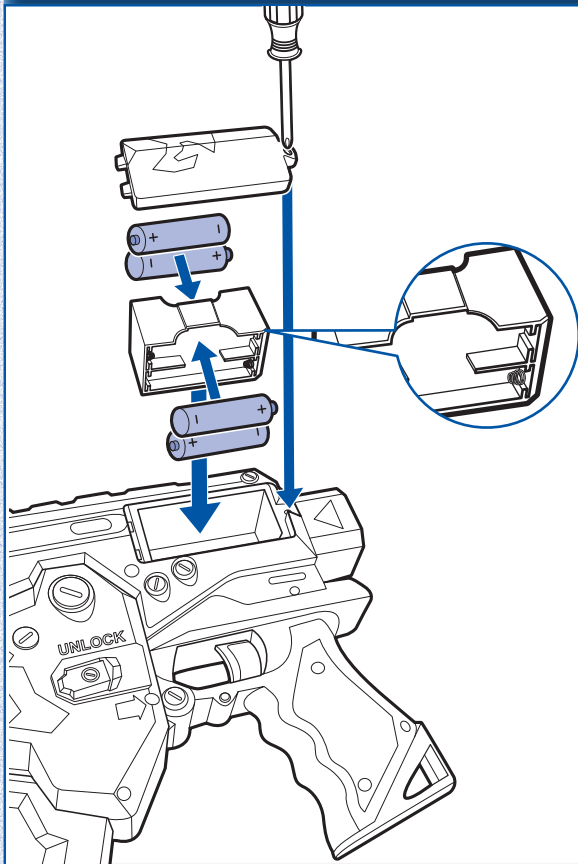
Super Soaker®

THUNDERSTORM™

x4 1.5V AA
LR6 size
**ALKALINE
BATTERIES
REQUIRED
NOT INCLUDED**

Phillips/cross head
screwdriver (not included)
needed to insert batteries.

TO INSERT BATTERIES



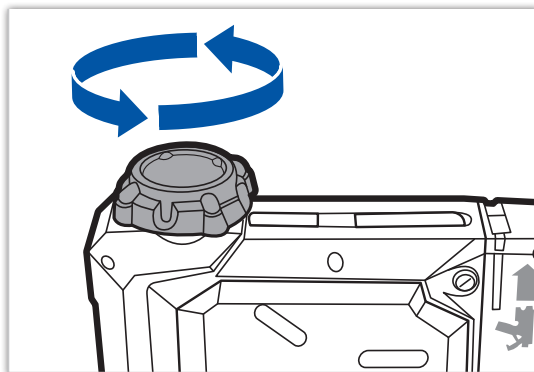
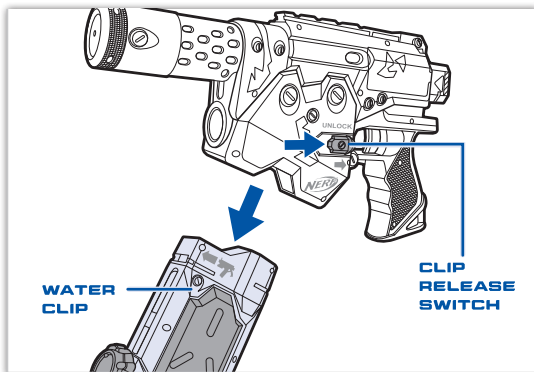
- 1 Use a Phillips/cross head screwdriver (not included) to loosen the screw in the battery compartment door.
- 2 Remove battery case and insert batteries as shown.
- 3 Battery case fits in only one direction. Do not force it.
- 4 Replace door and tighten screw.



WATER CLIP 10 FL. OZ. (10.3 L)

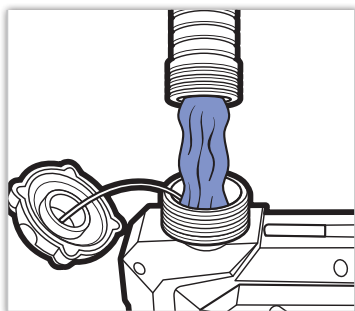
DISTANCE 25 FT. (7.6 M)

TO PLAY

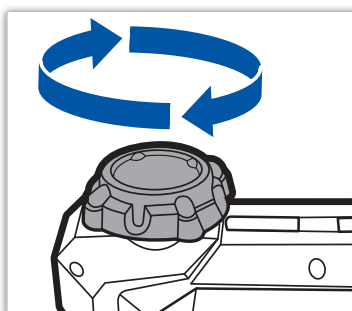


- 1** Slide **CLIP RELEASE SWITCH** backward and pull **WATER CLIP** out of soaker.

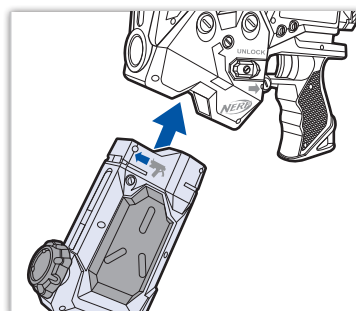
2



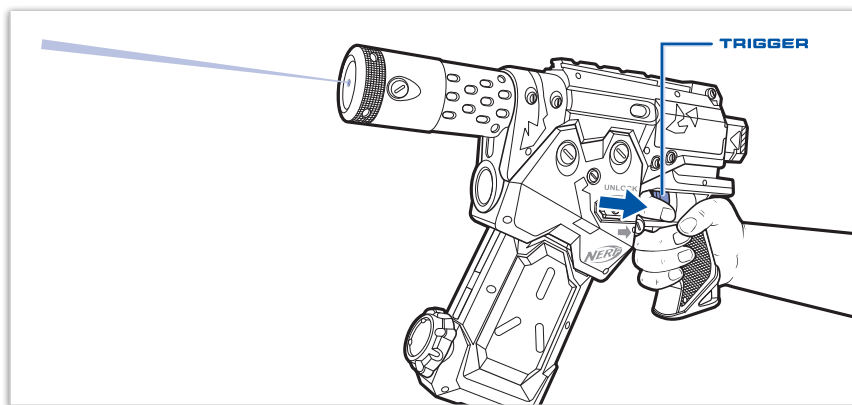
- 3** Fill completely with clean, clear tap water.



4



- 5** Insert **WATER CLIP** into soaker with arrow and fill cap pointing forward. **WATER CLIP** can only attach in one direction.



- 6** Pull **TRIGGER** to launch water.